

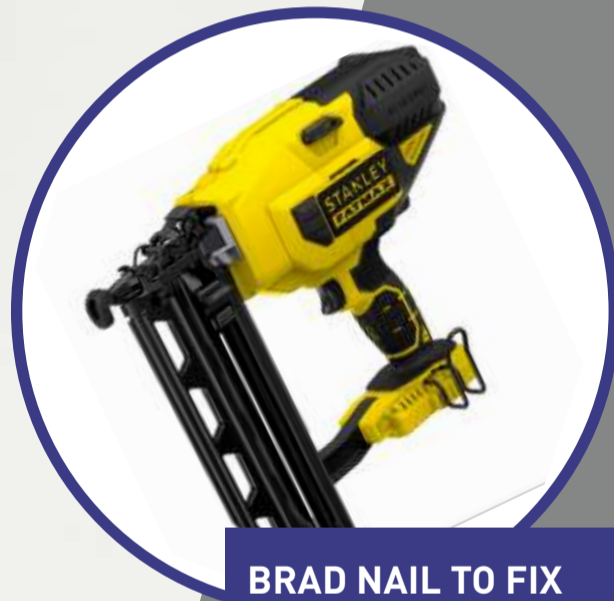
ANGLE FILLET



25/PACK

3m Lengths

FAST & FLEXIBLE



BRAD NAIL TO FIX

The features of our **ANGLE FILLET FF12 & FF15**

The Castle Angle Fillet is manufactured from recycled and reprocessed Polystyrene.

Available in 15x15mm or 12x12mm Profiles Castle Angle Fillet is a flexible product which is used for creating a 45 degree chamfer in concrete. Fix to form with brad nail gun or glue if required.

Castle Angle Fillet can be easily cut to length and is flexible to remove by hand.

Take care when prizing of the form as excessive bend will snap the product, when handled correctly it can be re-used multiple times.

PAGE 2
FOR MORE INFO



0800 55 33 00

APPLICATIONS

- Tilt-up
- Precast Panels
- Precast Beams
- Suspended Decks
- Insitu Beam Installations.

FEATURES AND BENIFITS

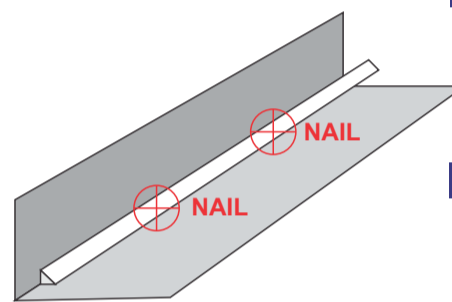
- Made from sustainable recycled sources
- Flexible.
- Re-usable.

TECHNICAL CHARACTERISTICS

Code	Ff15
Angle Length	22mm
Horizontal/Vertical	15mm
Length	3000mm
Colour	White
Pack Quantity	25 units

Code	Ff12
Angle Length	17mm
Horizontal/Vertical	12mm
Length	3000mm
Colour	White
Pack Quantity	25 units

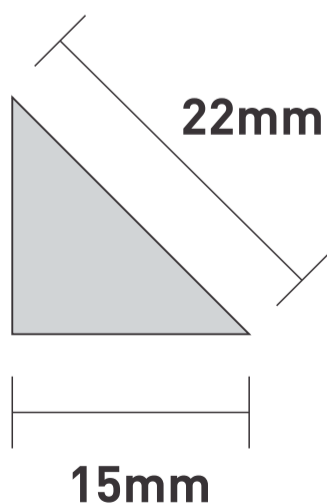
EVERYDAY APPLICATION



- Step 1: Cut to length and fit against formwork.
- Step 2: Use a brad nail gun to fix at 600mm centres.

TECHNICAL DIMENSIONS

FF15



FF12

