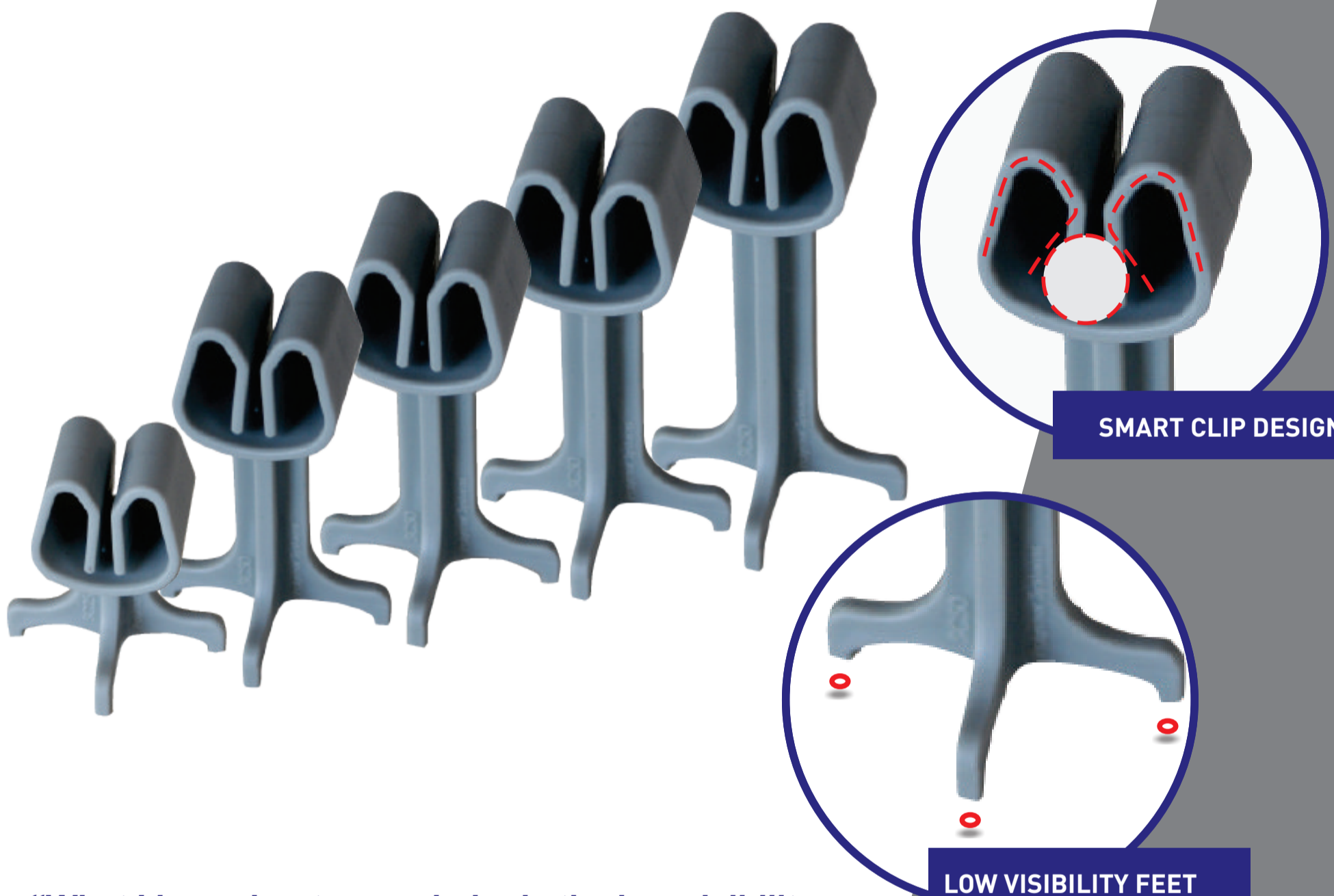


# PRE-CAST CHAIR

## SMARTCLIP 25,40,50,65,75



*“What I love about your chairs is the low visibility feet - it makes my finished product look heaps better.”*

– Dan, Precast Yard

### The features of the **PRE-CAST SMARTCLIP RANGE**

The SmartClip Range covers 5x popular cover sizes; 25, 40, 50, 65, 75mm cover. Designed to support single layered mesh or bar with an exclusive positive clip system to suit both mesh and reo bar from 3mm up to 16mm Diameter. The SmartClip features low visibility feet while maintaining a point loading of over 120kg.

Recommended for use in tilt-up, precast panels and beams, suspended decks and most, if not all Insitu beam installations. Low visibility feet design enables minimal exposure and the chairs are coloured a light grey to match the concrete.

These chairs are batch tested and meet the AS/NZS 2425:2015 Standards for bar chairs in reinforced concrete.

**Tip:**

The clip mechanism holds the chair at a fixed angle when lowering the mesh into form. No need to tie on with wire, Great!

**PAGE 2**

FOR MORE INFO



**0800 55 33 00**

## APPLICATIONS

- Tilt-up
- Precast Panels
- Precast Beams
- Suspended Decks
- Insitu Beam Installations.

## FEATURES AND BENIFITS

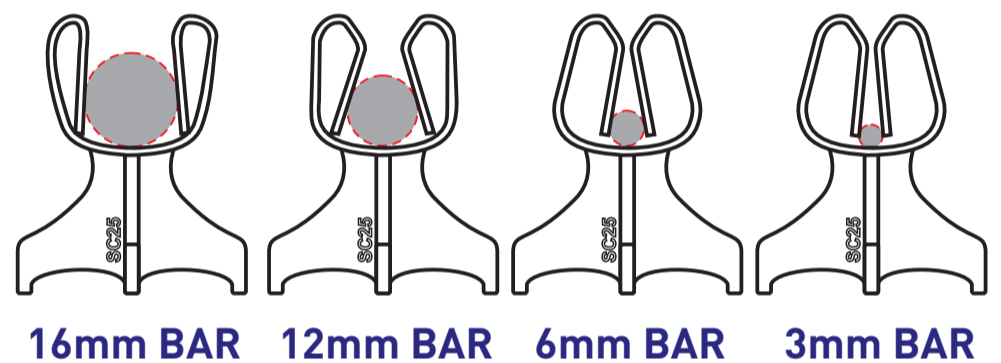
- Low visibility feet design
- Fits up to 16mm bar size
- Clip mechanism maintains a positive grip at a horizontal position when lowering the mesh into form.

## TECHNICAL CHARACTERISTICS

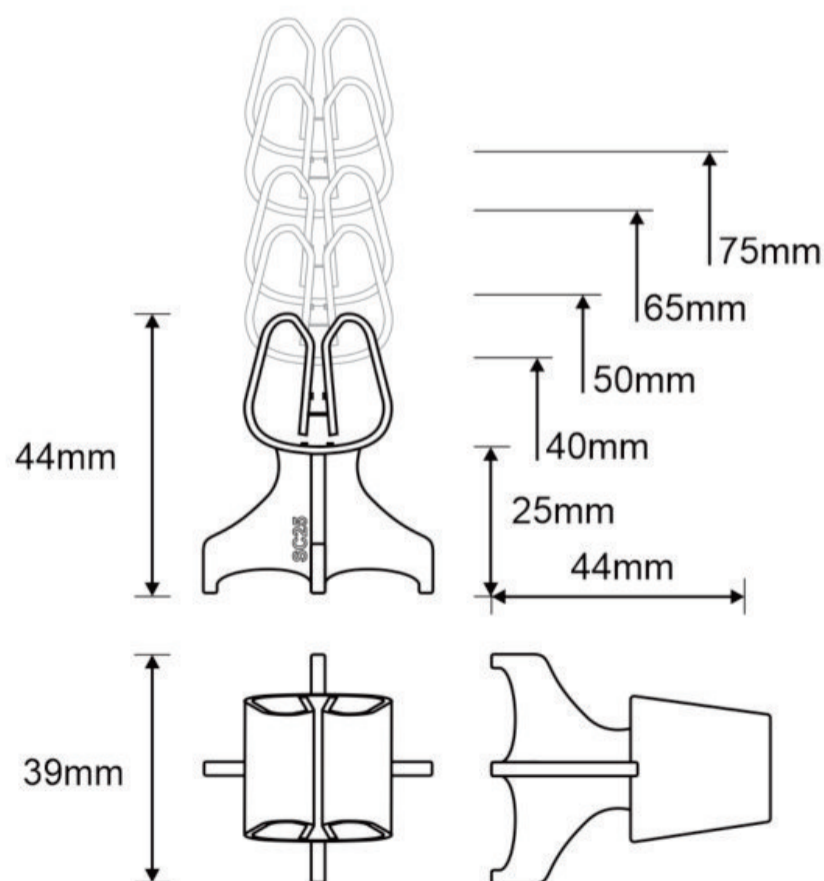
Code	SC 25 (40,50,65,75)
Cover	25-75mm
Diameter	39mm
Colour	Grey
Bag Quantity	100 units
Bag Weight	1.1kg
Carton Quantity	1000 - 2500 units
Carton Weight	22kg
Carton Cubic Area (m3)	0.125m3
Test Standard	AS/NZS 2425:2015

## EVERYDAY APPLICATION

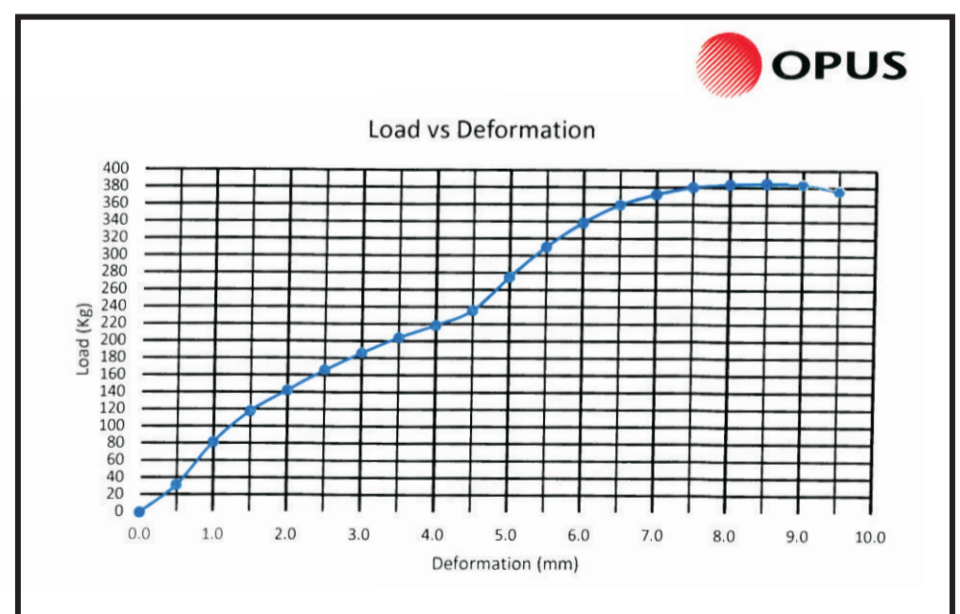
- Clip Spacer to Reo Bar at desired height and angle.  
Suits bar 3mm - 16mm.



## TECHNICAL DIMENSIONS



## TEST DATA



Date tested : 14/10/16  
Date reported : 17/10/16

Approved : *A.Ching*  
Designation : Laboratory Manager  
Date : 17/10/16