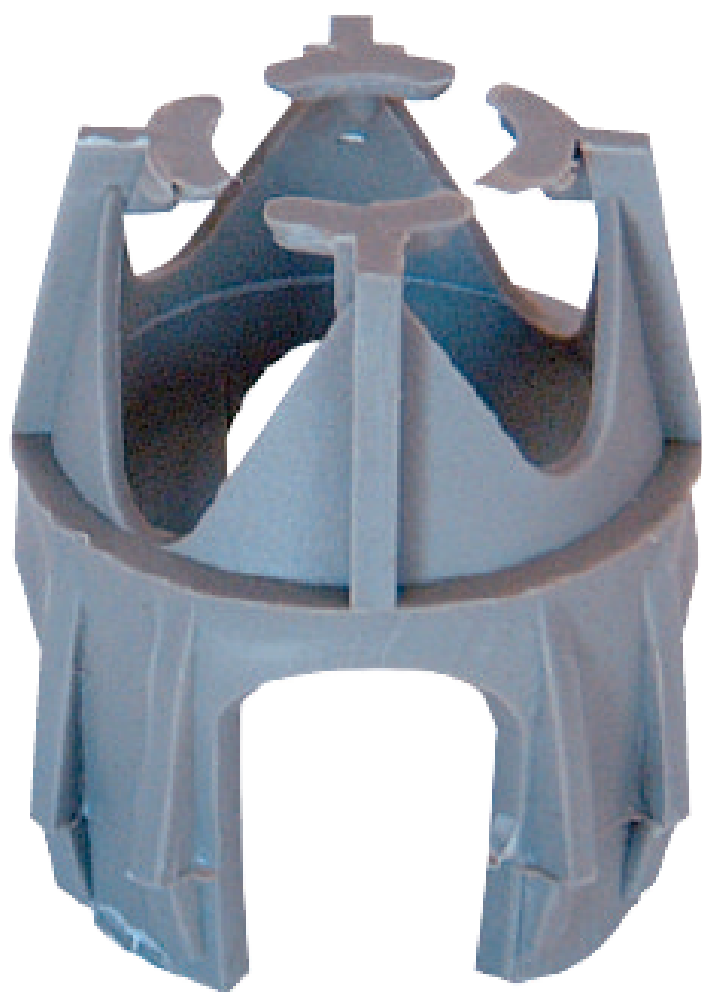


FORM-WORK BAR CHAIR PC 35/40



CLIP MECHANISM



HEAVY DUTY DESIGN

“What I love about your chairs is the low visibility feet - it makes my finished product look heaps better.”

– Dan, Precast Yard

The features of our **FORM-WORK BAR CHAIR 35/40**

One of the forerunners to the now popular Castle pre-cast chairs the F35/40 form-work chair has been designed to support single layered mesh or bar up to 10mm Diameter.

Recommended for use in form and cage applications.

Heavy duty design makes for a superbly stable steelwork chair.

These chairs are batch tested and meet the AS/NZS 2425:2015 Standards for bar chairs in reinforced concrete.

Tip:

The clip mechanism allows the chair to swing in a vertical position when lowering the mesh into form. Great!

PAGE 2

FOR MORE INFO



0800 55 33 00

APPLICATIONS

- Formwork
- Cage spacing.

FEATURES AND BENIFITS

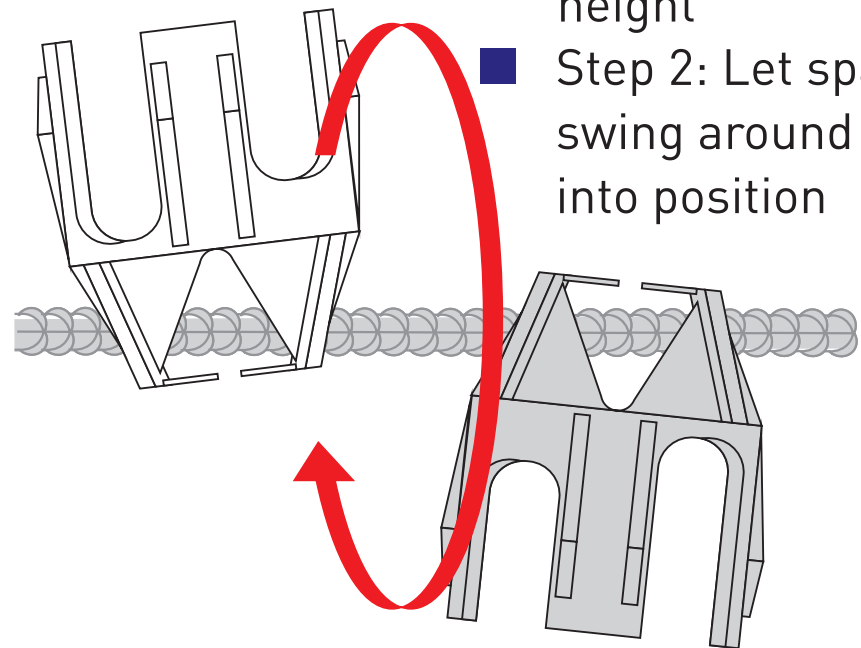
- Rugged and versatile design
- Fits up to 10mm bar size
- Clip mechanism allows the chair to swing into a vertical position when lowering the mesh into form.

TECHNICAL CHARACTERISTICS

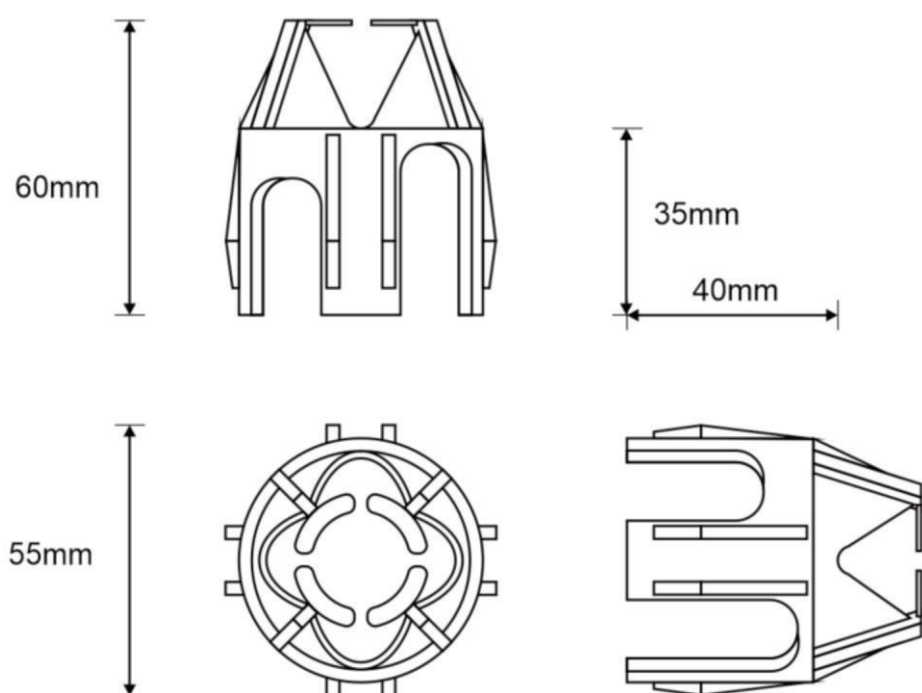
Code	F35/40
Cover	35 & 40mm
Diameter	55mm
Colour	Grey
Bag Quantity	200 units
Bag Weight	3.1kg
Pallet Quantity	5000 units
Pallet Weight	115kg
Pallet Cubic Area (m3)	1.4m3
Test Standard	AS/NZS 2425:2015

EVERYDAY APPLICATION

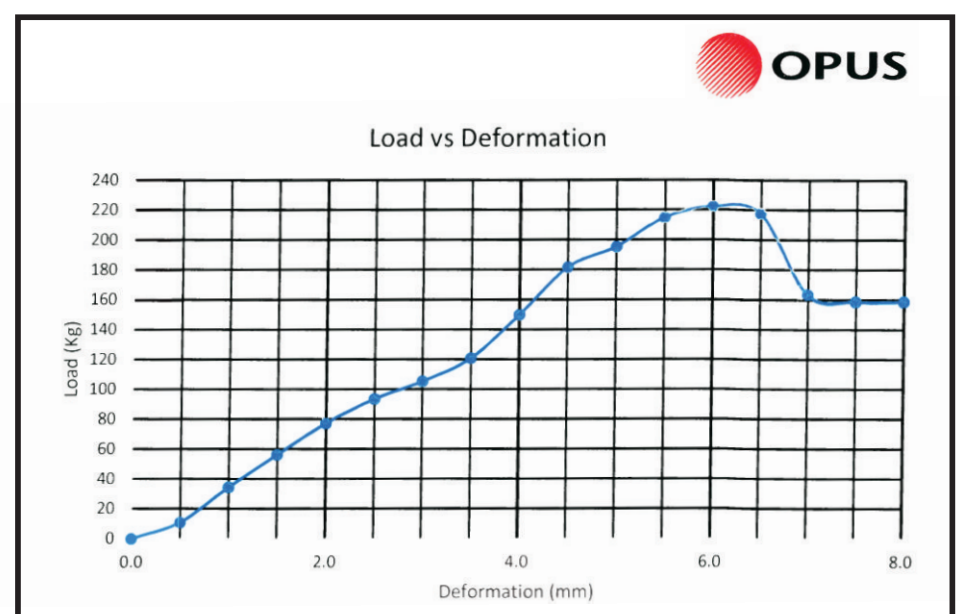
- Step 1: Clip Spacer to Reo Bar at desired height
- Step 2: Let spacer swing around into position



TECHNICAL DIMENSIONS



TEST DATA



Date tested : 14/10/16
Date reported : 17/10/16

Approved: *A.Ching*
Designation : Laboratory Manager
Date : 17/10/16