

The features of our **FORM-WORK BAR CHAIR 35/40**

One of the forerunners to the now popular Castle pre-cast chairs the F35/40 form-work chair has been designed to support single layered mesh or bar up to 10mm Diameter.

Recommended for use in form and cage applications.

Heavy duty design makes for a superbly stable steelwork chair.

These chairs are batch tested and meet the AS/NZS 2425:2015 Standards for bar chairs in reinforced concrete.

Tip:

The clip mechanism allows the chair to swing in a vertical position when lowering the mesh into form. Great!



Code: F35/40

Description: 35mm & 40mm covers.

Bag Qty: 200

Pallet Qty: 5000



Code: F45/50

Description: 45 & 50mm covers.

Bag Qty: 200

Pallet Qty: 5000



Code: F55/60

Description: 55mm & 60mm covers.

Bag Qty: 200

Pallet Qty: 5000



APPLICATIONS

- Formwork
- Cage spacing.

FEATURES AND BENIFITS

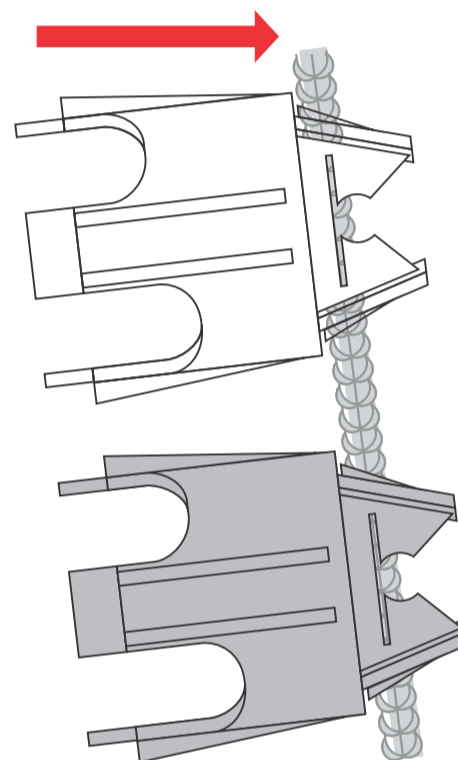
- Rugged and versatile design
- Fits up to 10mm bar size
- Clip mechanism allows the chair to hold in a horizontal position when lowering the mesh into form.

TECHNICAL CHARACTERISTICS

Cover	35 - 60mm
Load	60<
Height Tolerance <75mm	<1mm
Deflection under load	<3mm
Openings	>20mm

Meets AS/NZS 2425 for reinforcing steel spacing applications in concrete.
Batch tested meeting minimum requirements.

EVERYDAY APPLICATION



- Step 1: Clip Spacer to Reo Bar at desired height
- Step 2: Let spacer hold in horizontal position.

TECHNICAL DIMENSIONS

CODE	FITS BAR	COVER
F35/40	<10mm	35, 40mm
F45/50	<10mm	45, 50mm
F55/60	<10mm	55, 60mm

TEST DATA



Date tested : 14/10/16
Date reported : 17/10/16

Approved: *A.Ching*
Designation : Laboratory Manager
Date : 17/10/16