

PRE-CAST BAR CHAIR

PC 60/75



TAKES UP TO 20mm BAR



LOW VISIBILITY FEET

“What I love about your chairs is the low visibility feet - it makes my finished product look heaps better.”

– Dan, Precast Yard

The features of our **PRE-CAST BAR CHAIR 60/75**

The PC60/75 panel chair has been designed to support single layered mesh or bar up to 20mm Diameter. Recommended for use in tilt-up, precast panels and beams, suspended decks and most if not all Insitu beam installations.

Low visibility feet design enables minimal exposure and the chairs are coloured a light grey to match the concrete. These chairs are batch tested and meet the AS/NZS 2425:2015 Standards for bar chairs in reinforced concrete.

Tip:

The clip mechanism allows the chair to swing in a vertical position when lowering the mesh into form. Great!

PAGE 2

FOR MORE INFO



0800 55 33 00

APPLICATIONS

- Tilt-up
- Precast Panels
- Precast Beams
- Suspended Decks
- Insitu Beam Installations.

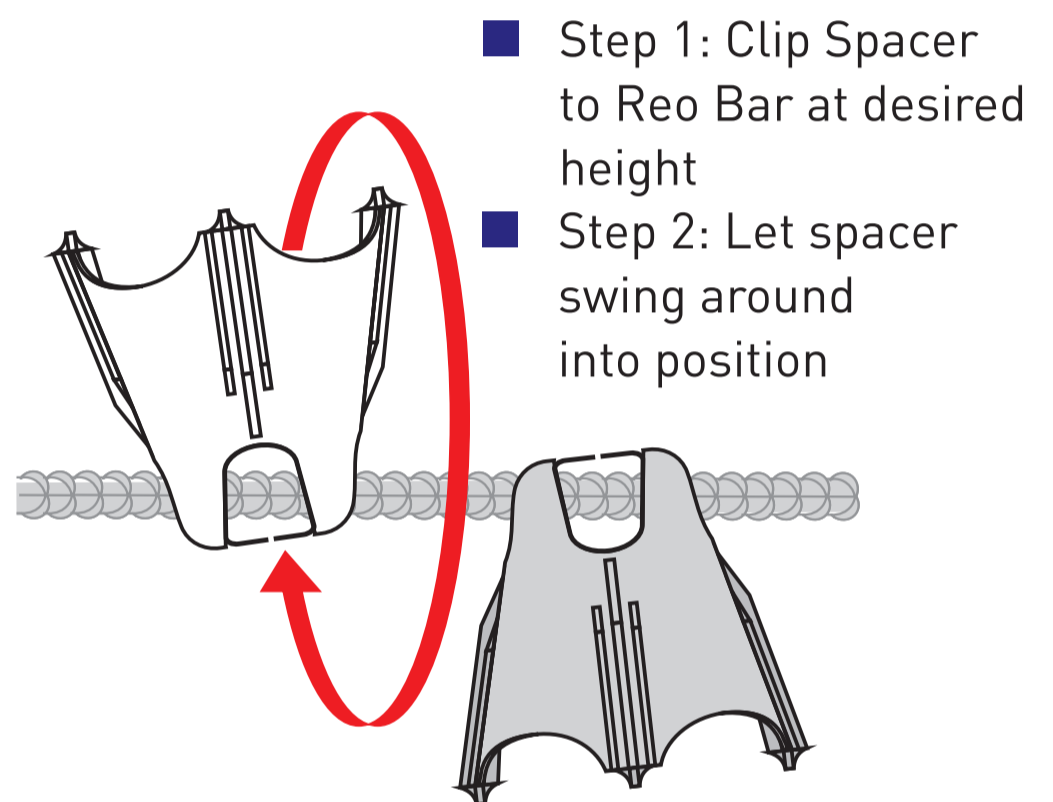
FEATURES AND BENIFITS

- Low visibility feet design
- Fits up to 20mm bar size
- Clip mechanism allows the chair to swing into a vertical position when lowering the mesh into form.

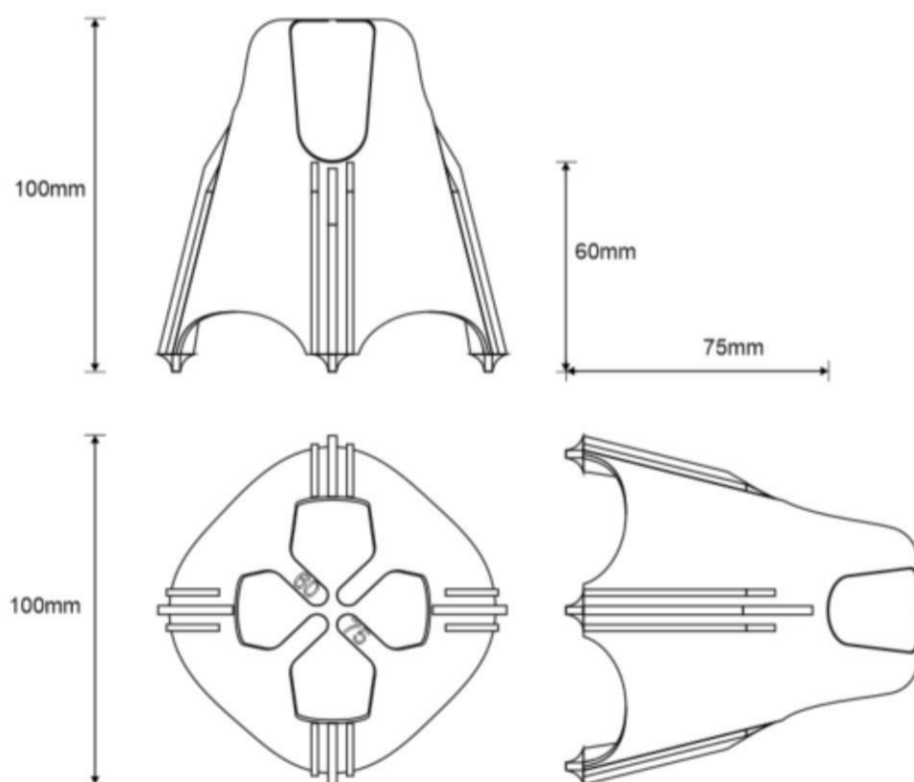
TECHNICAL CHARACTERISTICS

| | |
|------------------------|------------------|
| Code | PC60/75 |
| Cover | 60 & 75mm |
| Diameter | 100mm |
| Colour | Grey |
| Bag Quantity | 100 units |
| Bag Weight | 3.8kg |
| Pallet Quantity | 5,000 units |
| Pallet Weight | 210kg |
| Pallet Cubic Area (m3) | 1.30m3 |
| Test Standard | AS/NZS 2425:2015 |

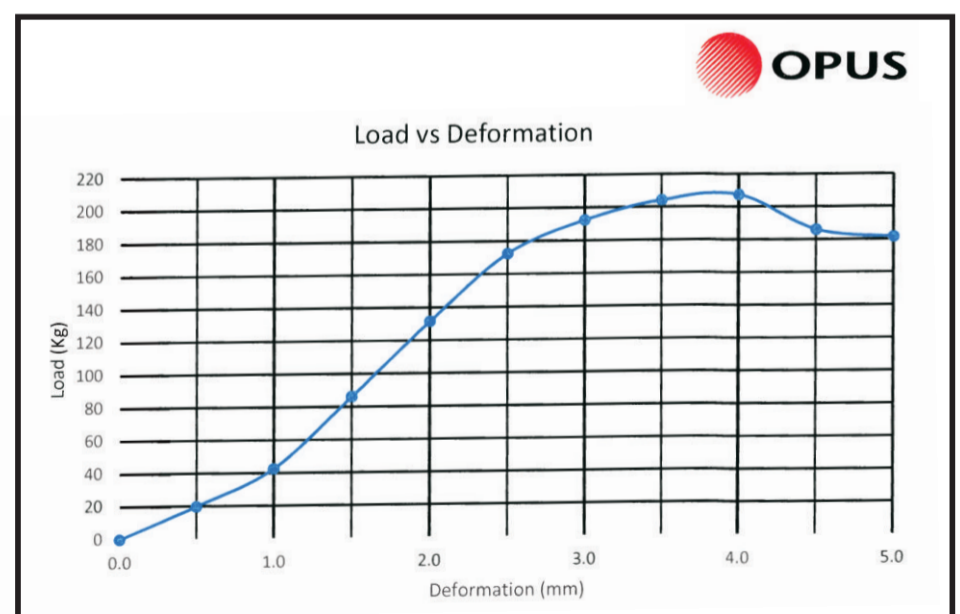
EVERYDAY APPLICATION



TECHNICAL DIMENSIONS



TEST DATA



Date tested : 14/10/16
Date reported : 17/10/16

Approved : *A.Ching*
Designation : Laboratory Manager
Date : 17/10/16